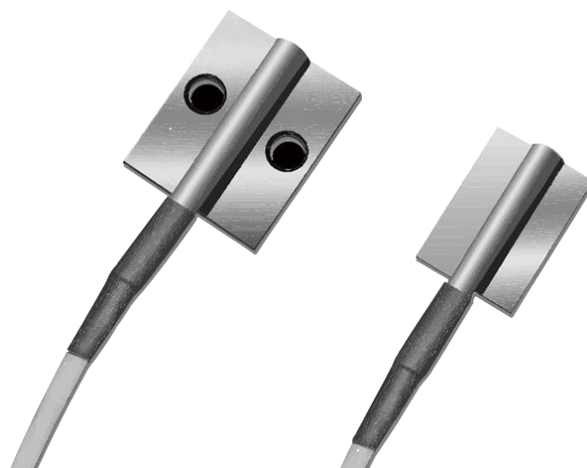


Main specifications	Other specifications
<p>▼ Installation type Surface adhesive (with high heat-resistance adhesive) / Bolt-on</p> <p>▼ Sensor type Pt100 / Pt500 / Pt1000 / K type thermocouple</p> <p>▼ Measurement range -40 to 250°C</p> <p>▼ Ambient temperature -40 to 250°C</p> <p>▼ Storage temperature -10 to 70°C</p> <p>▼ Storage humidity 20~90%RH</p> <p>▼ Applicable media Corrosive media that compatible with SS316 such as gasoline, acetone, clean liquid acid and alkali agent</p> <p>▼ Protection level IP68</p> <p>▼ Accessory Mounting screws</p>	<p>▼ Plate material SS316</p> <p>▼ Plate size Surface adhesive ▼ 15 x 20 x 1mm Bolt-on ▼ 20 x 25 x 1mm</p> <p>▼ Signal cable material PVC / Silicone rubber / Teflon</p> <p>▼ Signal cable length 5M / 10M Other length available upon request</p> <p>▼ Response time ≤ 15secs</p> <p>▼ Accuracy Comply with DIN IEC751 A Class</p> <p>▼ Thermal conductivity <100°C: ≥0.8W/mk >120°C: >1.5W/mk ASTM D5470</p> <p>▼ Mechanical strength Tension ▼ 950psi ASTM D412 Extensibility ▼ 300% ASTM D412 Tear strength ▼ 150 lb/in² ASTM D624</p> <p>▼ Weight About 200g (exclude wire)</p>

Surface Mounting Type Temperature Sensor Model: STS-02

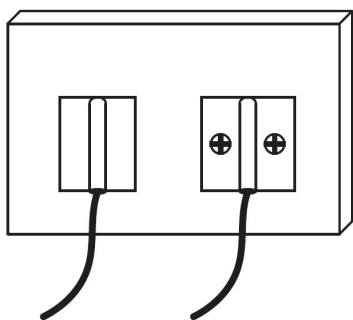


Due to the variety of customization, the picture is only for reference, please confirm the actual item with our sales. (If there is any change on specification, please take the latest version as standard.)

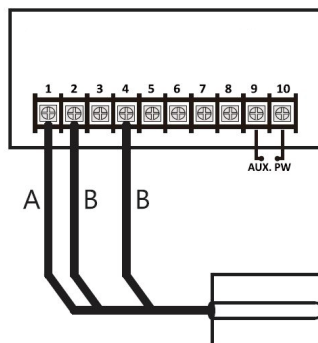
Features

- Specially designed for metal / plastic rough surface temperature measurement
- Surface adhesive / bolt-on type available for various environments
- Temperature measurement range:
-40 to 250°C
- Fast respond to ambient temperature
- High accuracy - comply with DIN IEC751 A Class
- Easy installation
- Weather-proof, anti-corrosive design

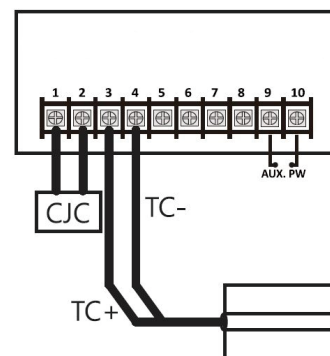
Installation diagram



Surface measurement



Pt100 wiring



Thermocouple wiring

How to order

STS-02		Surface Mounting Type Temperature Sensor			
Code	Sensor type				
P01	Pt100				
P05	Pt500				
P10	Pt1000				
TCK	K type thermocouple				
Code	Installation type				
A	Surface adhesive				
B	Bolt-on				
Code	Signal cable length				
05	5M				
10	10M				
Code	Signal cable material				
P	PVC				
S	Silicone rubber				
T	Teflon				
Code	Other requests				
/A	Inspection report				
/B	Mounting screws				
STS-02	P01	A	05	P	Order example: STS-02-P01-A-05-P